



HS140 HDMI Splitter

User Manual



© 2012 Kinivo LLC. All rights reserved.

Kinivo is a trademark of Kinivo LLC. Bluetooth word mark and the Bluetooth logo are registered trademarks of Bluetooth SIG. All other trade names are registered trademarks of respective manufacturers. This manual may not be copied in any media or form without the written consent of Kinivo LLC.

Kinivo Product Support

Online : <http://support.kinivo.com>

Email : support@kinivo.com

Table of Contents

● Important Safety Instructions.....	3
● Function	3
● Installation.....	4
● LED Indication	4
● Specifications	5
● Charts	6
● Warranty	7
● Online Support / Contact Us.....	8

Important Safety Instructions

Please read instructions carefully before operation

1. To prevent risk of electric shock, do not remove cover of the unit. Refer all servicing to qualified service personnel only.
2. Do not use the splitter near water or any other liquid.
3. Clean only with dry cloth.
4. Do not install or place this unit in a bookcase, built-in cabinet or in any other confined space. Ensure the unit is well ventilated.
5. To prevent risk of electric shock or fire hazard, do not block the unit's ventilation openings.
6. Do not install near any heat sources such as radiators, stoves, heat registers etc.
7. Unplug during lightning storms or when unused for a long period of time.
8. Protect power cord from being pinched, particularly near plug points.
9. Only use attachments/accessories specified by manufacturer.

Function

Simultaneously distributes HDMI signal to multi display devices.

HS140 – HDMI 1*4 Splitter - Split one HDMI input signal to four HDMI output signals

Installation

How to connect the splitter to your devices

1. Connect the signal source from devices such as Blu-ray DVD players, Gaming consoles like PS3 and Xbox 360, Set top boxes, etc. into the HDMI Splitter input. (Use HDMI to HDMI cable for HDMI Source or HDMI to DVI cable for DVI Source)
2. Connect cables from the HDMI Splitter output to your display devices such as HDTV's or HD projectors.
3. This device is powered by a 5v external power supply (included)

Note:

Please insert or pull HDMI cable with caution. Do not exert force while inserting or removing cable.

LED Indication

1. Blue LED indicates "Active signal path"
2. No LED indicates "No input signal"

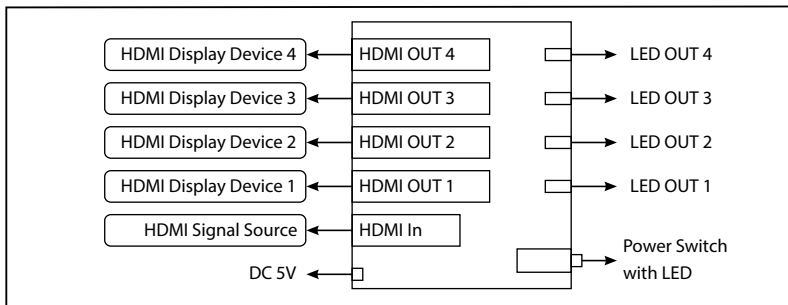
Specifications

Standard Compliance	HDCP 1.2
HDMI Output Port	HS140 – 4
HDMI Input Ports	1
Signal Range	Up to 1080p@60Hz with 36-bit color depth
Power Adapter Supply	5V, 2.0A (HS140)
Power Adapter Format	Input: ~ 100V – 240V, 50/60Hz AC Output: 5V DC
Support Video Color Format	Deep Color 24bit/36bit
Operating Temperature	-15°C to +55°C, 5°F to 131°F
Operating Humidity	5% - 90% RH (No condensation)
Product Dimension	HS140 – 10.2" x 4.5" x 1.2", 260mm x 115mm x 27mm
Supports Audio Format	Supports LPCM 7.1, Dolby-AC3, DTS 7.1, DSD/Dolby True HD, DTS-HD Master Audio
Max Working Current	700 mA
Data Transfer Speed	2.25Gbps/Channel
Input Video Signal	5 volts p-p

Full-HD Chain	1080p Cascade up to 3 Layers
HDMI Output Cable Distance	<= 15m (If longer length is required, amplifier must be used)
Supports 3D	Yes

Charts

HS140



Warranty

1 Year Limited Hardware Warranty.

Kinivo hereby warrants to the customer of record that this product is in good-working condition and free from defects in material or workmanship under normal use for a duration of 1 year after the date of purchase. The product has been tested to meet the highest quality standards in each testing category. In the unlikely event that the product proves to be defective, Kinivo will repair or replace the product free of charge. If replacement is required and if Kinivo then no longer carries the same product, then Kinivo reserves the right to substitute the product with a replacement product of like quality and size, suitable for the intended use.

This warranty is limited to repair or replacement of the mentioned product only, is non-transferable and does not extend to any product damaged by misuse, natural disasters or any other circumstances beyond Kinivo's control. The warranty does not cover or provide for the reimbursement or payment of incidental or consequential damage resulting from breach of the limited warranty described above. Except for the limited warranty described above we offer no other warranties expressed or implied, and other than limited warranty expressly contained herein, we hereby disclaim any and all warranties, including without limitation any implied warranties of merchantability, suitability or fitness for a particular purpose.

If your product is not functioning or you have any concerns please contact Kinivo Support before returning the product.

Online Support / Contact Us

Please visit us at support.kinivo.com or www.kinivo.com for support information, downloads and how-to's. You may also reach us via email or live chat (details below).

Kinivo Product Support

Email : support@kinivo.com

Live chat : <http://support.kinivo.com>

**This page intentionally
left blank**

KINIVO®

1 year limited
hardware warranty

Kinivo Product Support

Online : <http://support.kinivo.com>

Email : support@kinivo.com

Made in china

